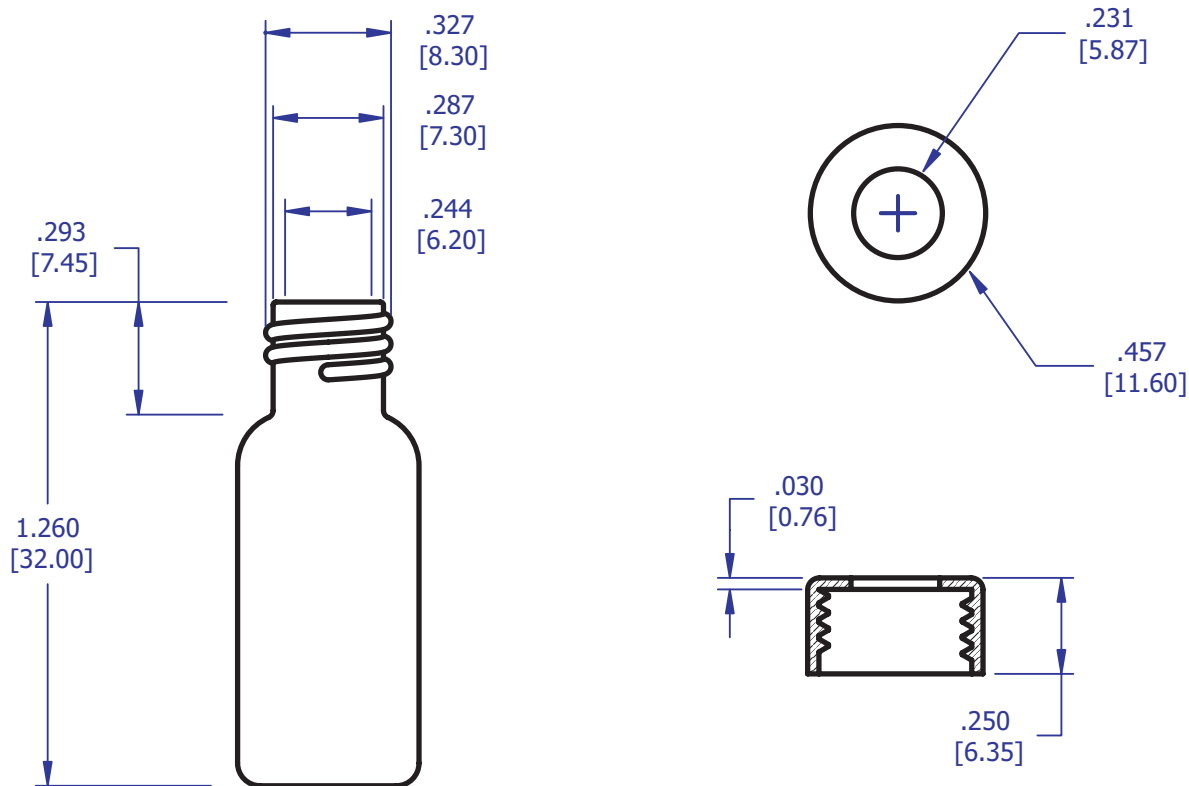


## 9mm Autosampler Vials and Caps

Vials - 2ml, 12X32mm w/ write-in patch  
 Clear Type 1 Class A Borosilicate Glass  
 (P/N CIV.C.009.001)  
 Amber Type 1 Class B Borosilicate  
 (P/N CIV.A.009.001)

Cap Colors:  
 Black (CIC.P.009.001)  
 Blue (CIC.P.009.002)  
 Yellow (CIC.P.009.006)



DRAWINGS NOT TO SCALE

"This design is the property of Pawling Corporation and is submitted in confidence. All rights reserved. Copying or imitation expressly prohibited. All or portions of this design may be subject to proprietary rights. This drawing is for reference only. Dimensions subject to change without prior notice."