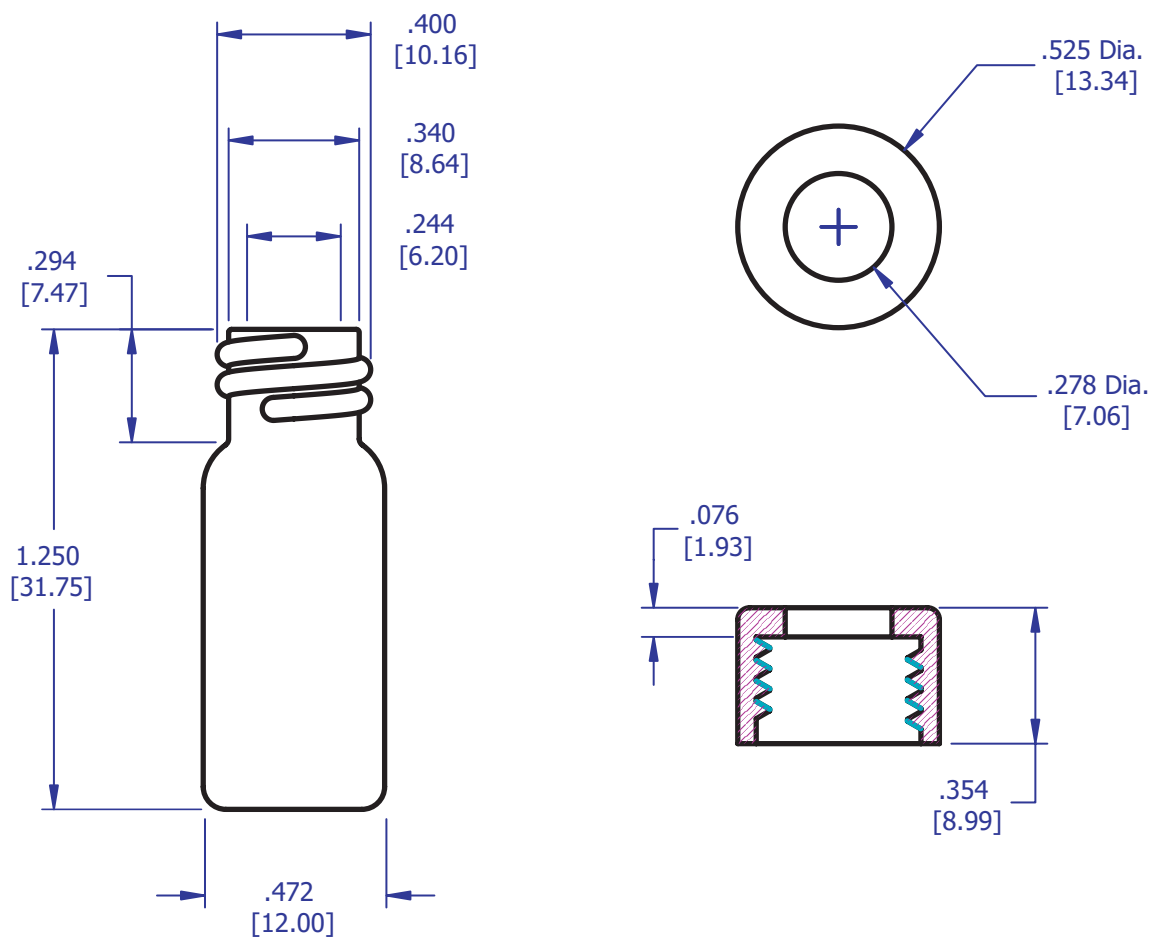


10-425 Autosampler Vials and Caps

Vials - 2ml, 12X32 mm w/ write-in patch
 Clear Type 1 Class A Borosilicate Glass
 (P/N CIV.C.010.001)
 Amber Tpe 1 Class B Borosilicate Glass
 (P/N CIV.A.010.001)

Cap Colors:
 Black (CIC.P.010.001)



DRAWING NOT TO SCALE

"This design is the property of Pawling Corporation and is submitted in confidence. All rights reserved. Copying or imitation expressly prohibited. All or portions of this design may be subject to proprietary rights. This drawing is for reference only. Dimensions subject to change without prior notice."